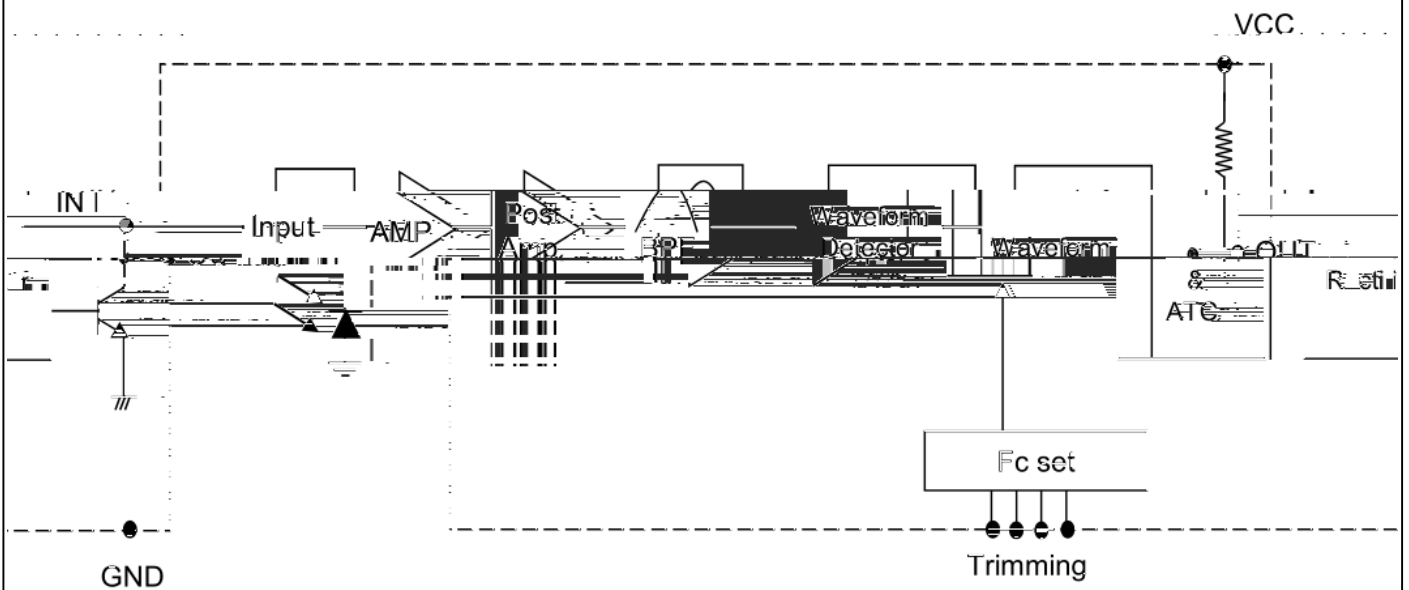
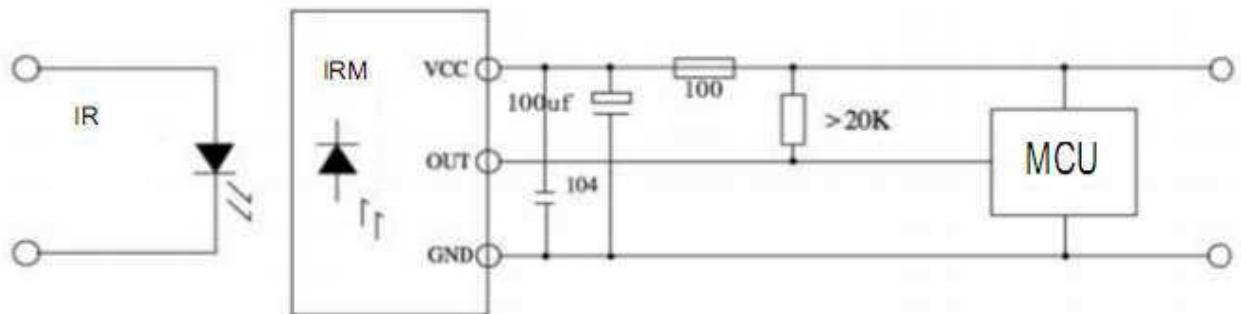
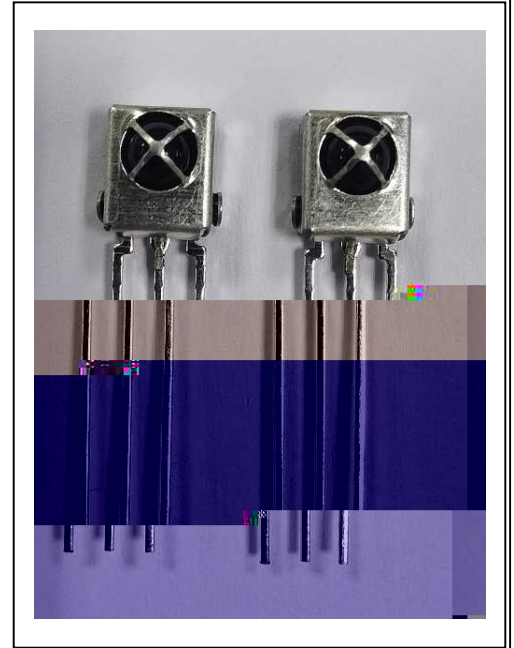


IGHT

--	--	--	--

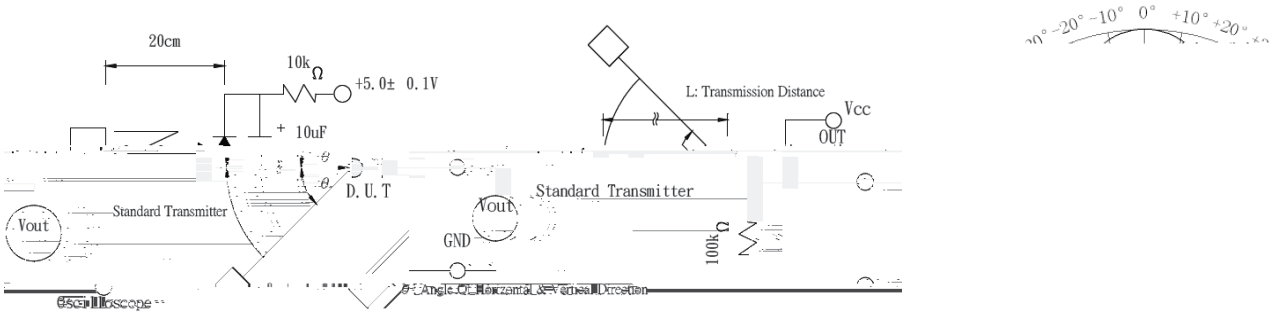
LIGHT



LIGHT



	R_{pul}	---	---	50	---	k
			400	600	800	μ S

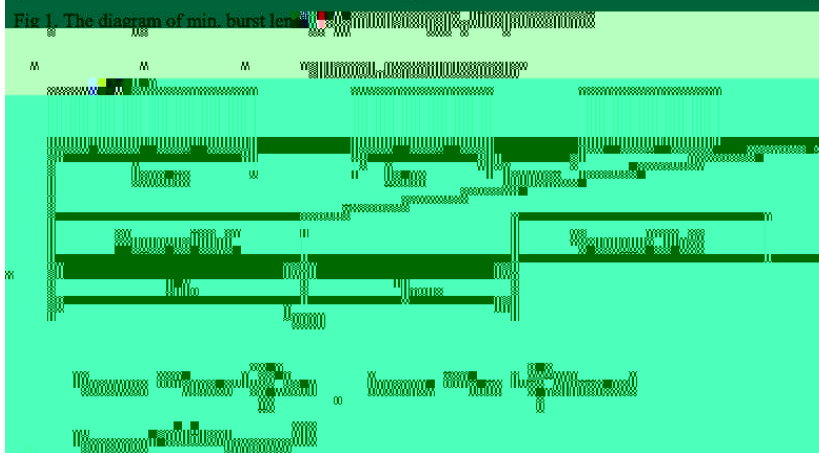




imal function.

* $t_{pi} \geq 10/f_0$ is recommended for opt

Minimum Burst Length t_{burst} (number of pulses per burst)	200us
Minimum Burst Gap time t_{burst_gap} (number of pulses per burst) between two burst	300us
Minimum pause time (for full frame repeat code)	< 1 ms



	1.5k ,			

LIG

