

LG-IRM2A838KSF3

Infrared Receiver Module

DATA SHEET

SPEC.NO. : SZ21052401
DATE : 2021/05/24
REV. : A/0

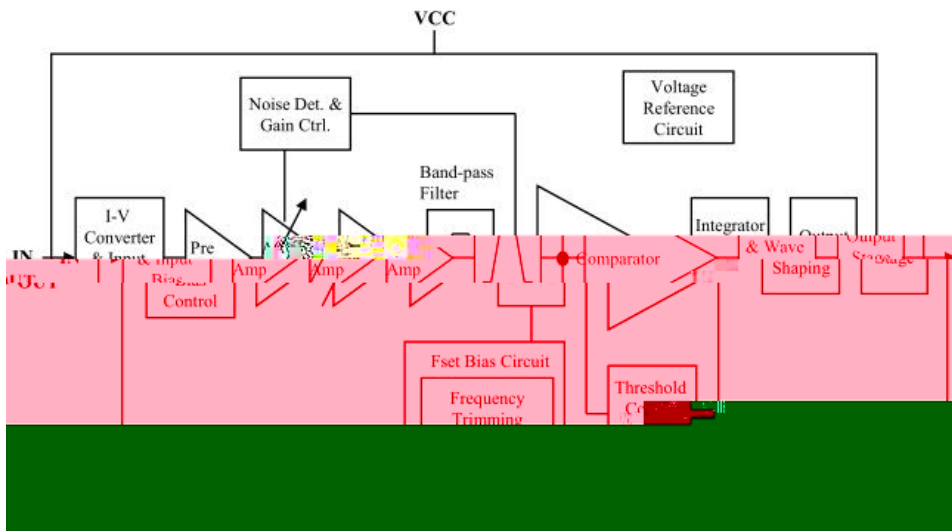
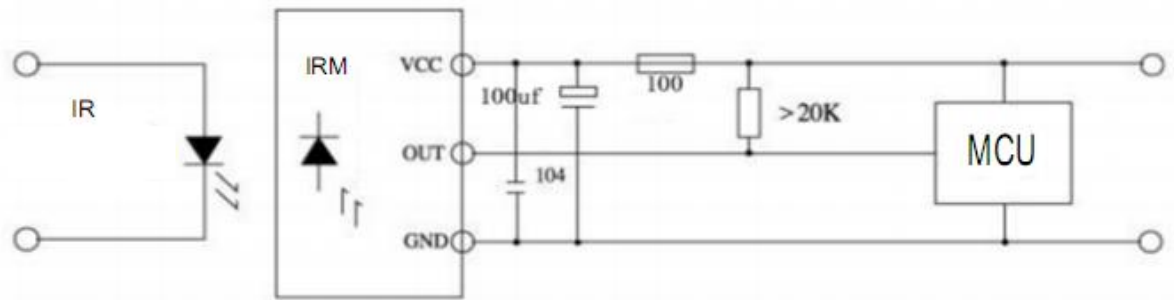
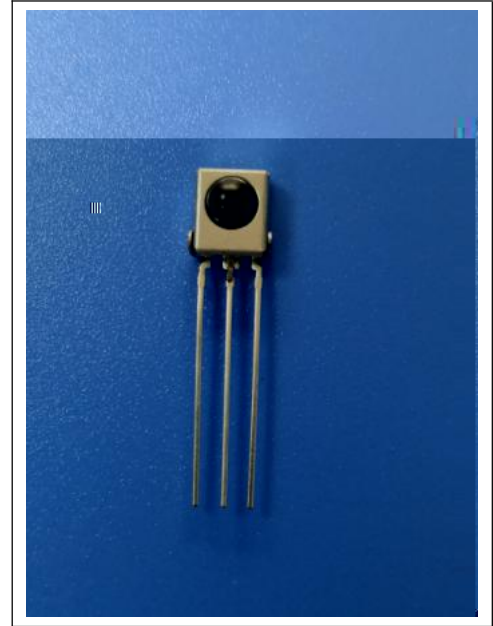
Approved By:

Checked By:

Prepared By:

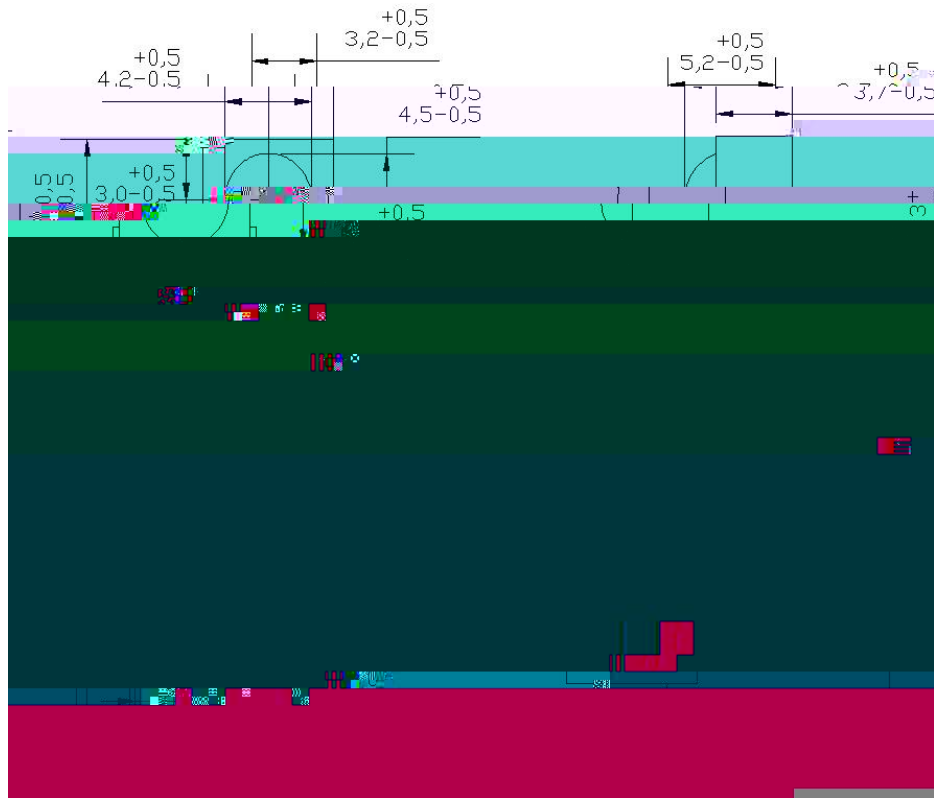
IRM2A838 SF3
IC
REACH ROHS

PI N



LIG





LIGHT ELECTRONICS CO., LTD.

