

LIGHT

Part

QR-K009-01

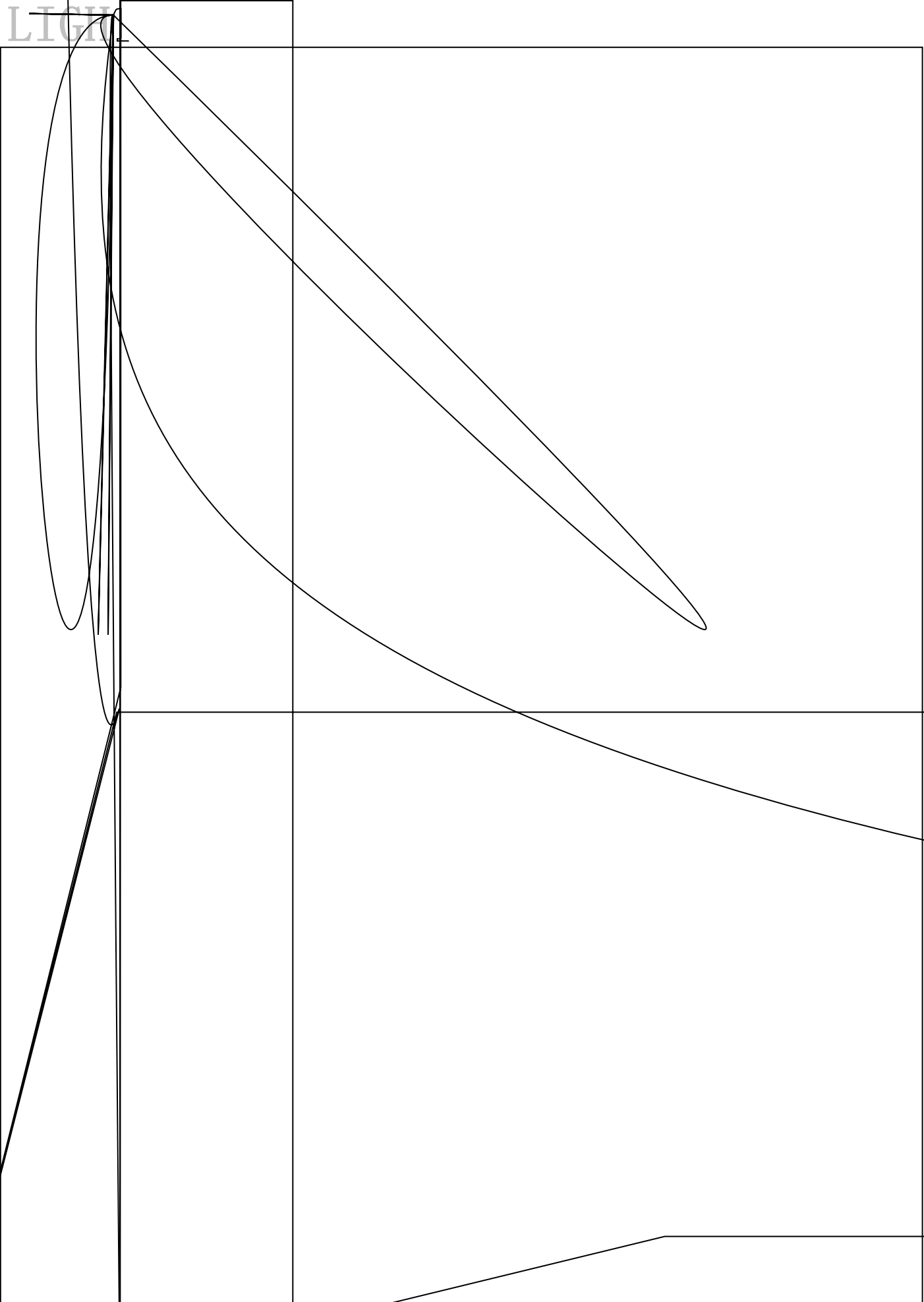
LIGH

Electrical Optical Characteristics at Ta=25

Parameter	Symbol	Min.	Typ.	Max.	Unit	Test Condition
-----------	--------	------	------	------	------	----------------

Luminous Intensity

LIGHT



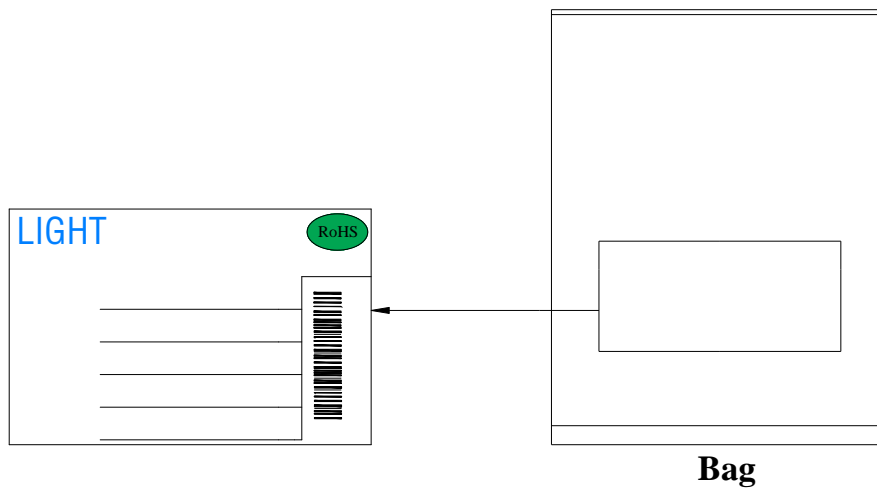
Part No. SL-T0402SRC020-L40

Page

5 of 8

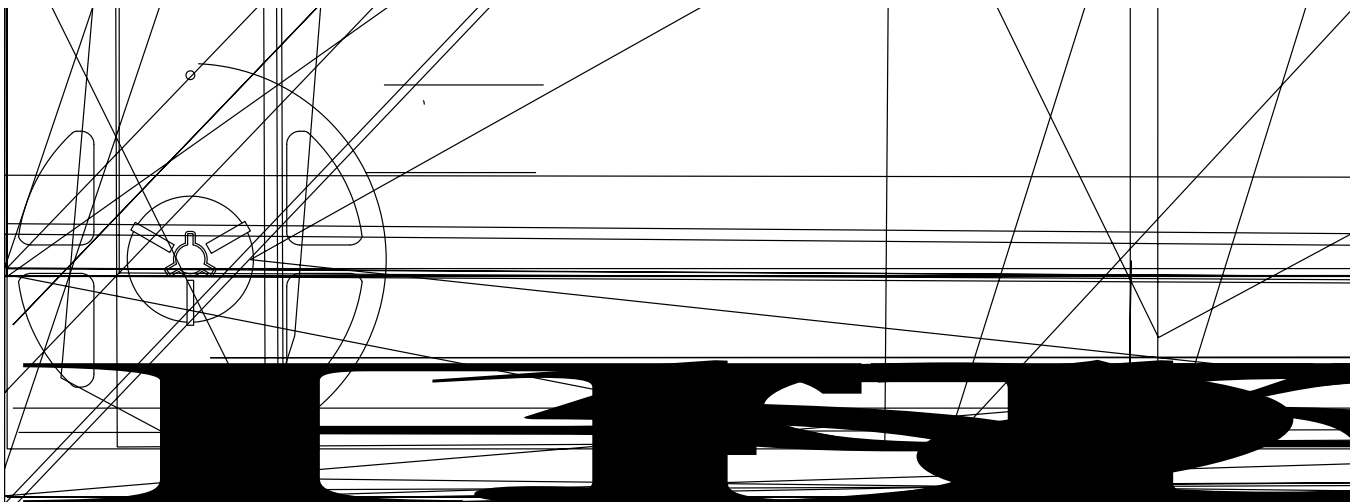
LG-QR-R009-01

Label Explanation



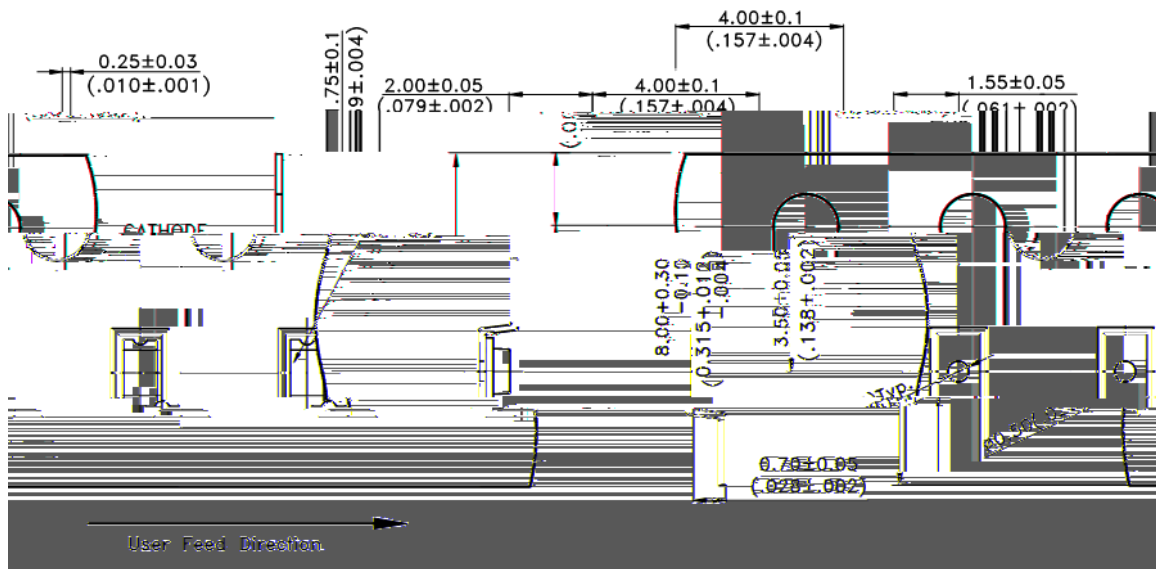
TYPE NO./产品型号	QUANTITY/包装数量
BIN./分光等级	DATE CODE/生产日期
REMARKS/客户料号	LOT NO./生产批号

Reel Dimensions



Note: Tolerance unless mentioned is $\pm 0.2\text{mm}$; Unit = mm

Carrier Tape Specifications (Loaded Quantity: 4000pcs/reel)



Moisture Resistant Packaging

