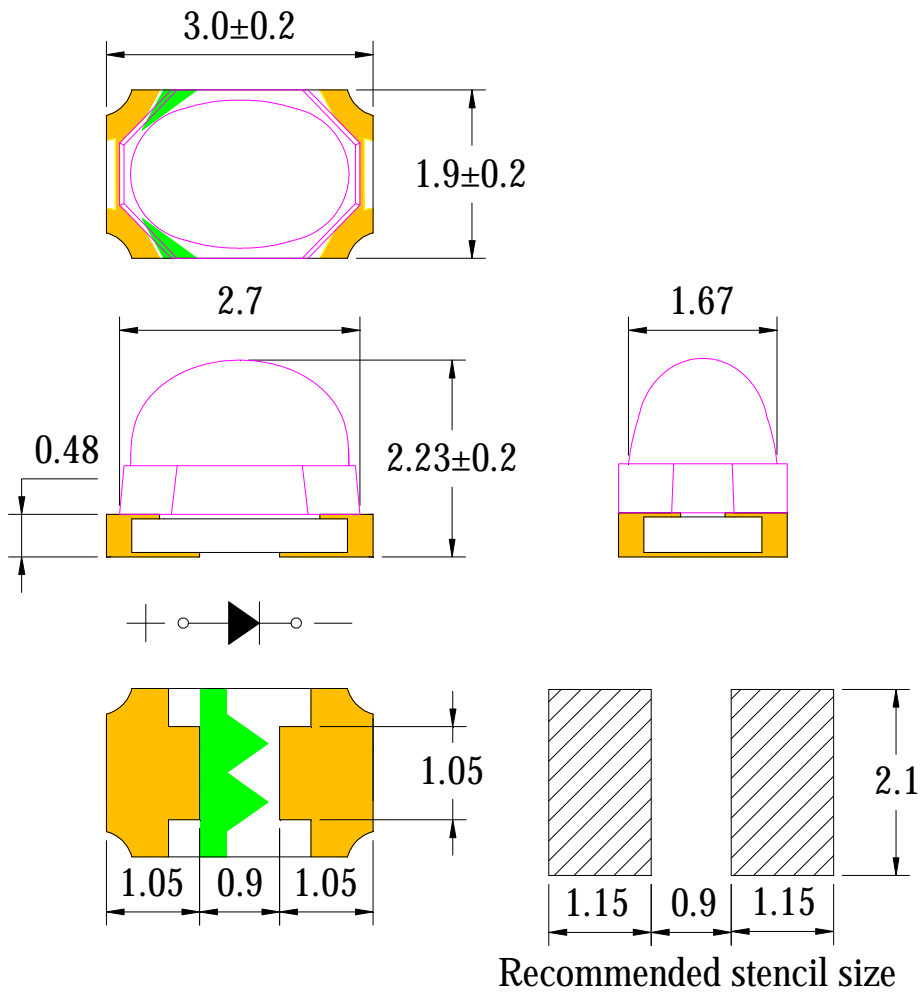


\_\_\_\_\_  
\_\_\_\_\_  
\_\_\_\_\_

--	--	--	--

- ◆
- ◆
- ◆
- ◆
- ◆



	□	

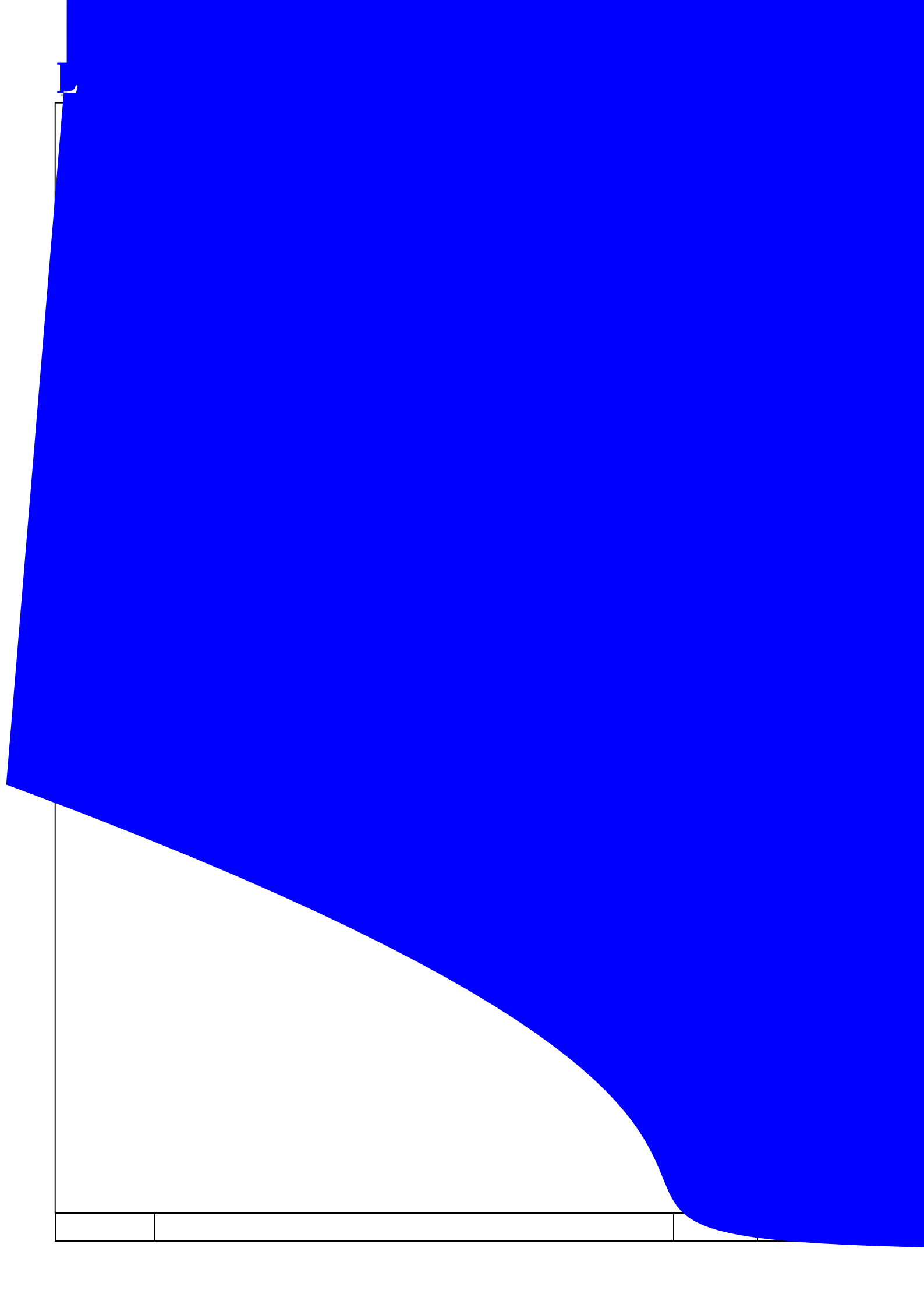


LIGHT ELECTRONICS CO., LTD.



--	--	--	--



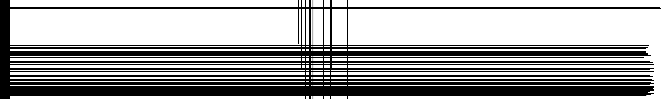




## Carrier Tape Specifications (Loaded Quantity: 5000pcs/reel)

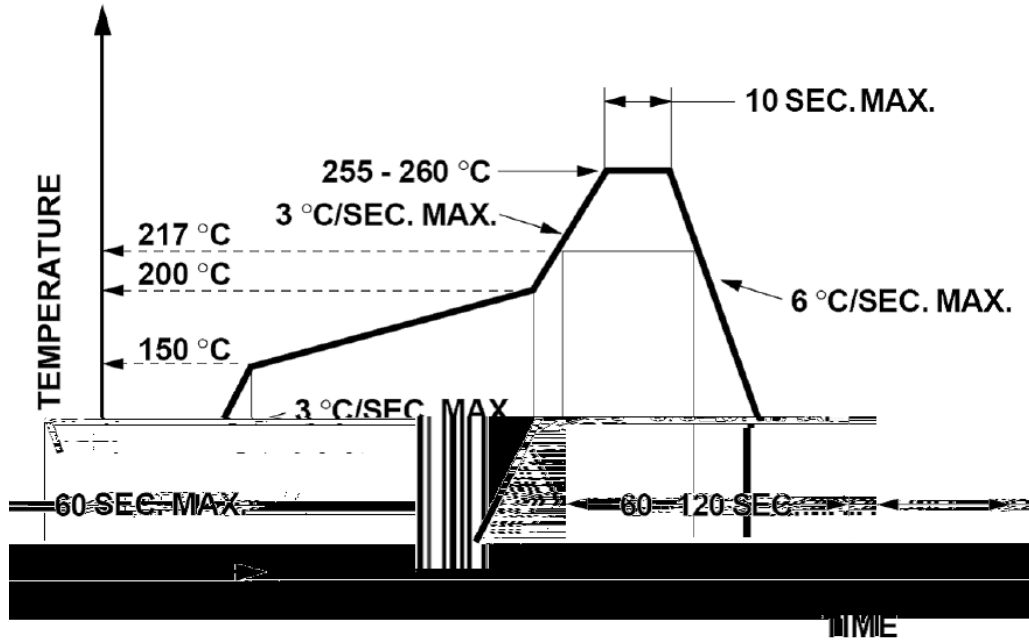
~~Moisture Resistant Packaging~~

~~XXXXXXXXXX~~





## Suggest IR Reflow Condition For Lead Free



## Soldering iron

°C

## Repairing

