

Features

Package Dimension

Notes:

Electrical Optical Characteristics at Ta=25

Range Of Spectral Bandwidth						
Wavelength Of Peak Sensitivity						
Rise Time	Tr	---	15	---	μs	
Fall Time	Tf	---	15	---	μs	
	2					
						p=940nm

Note:

- 1.

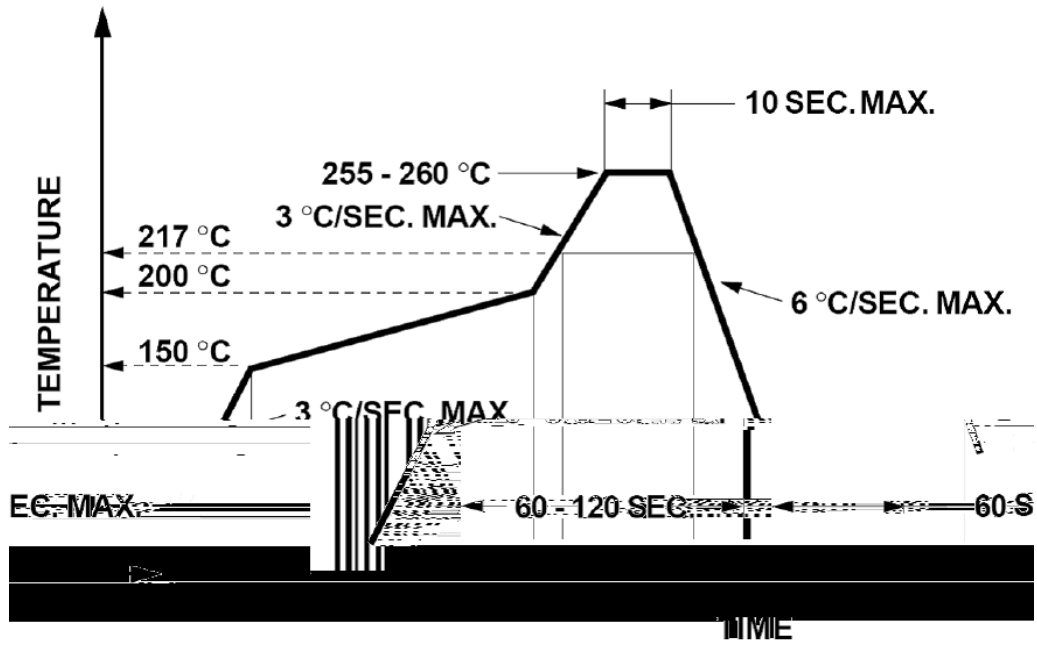


Carrier Tape Specifications

Note:

Moisture Resistant Packaging

Suggest IR Reflow Condition For Lead Free



Soldering iron

°C

Repairing

