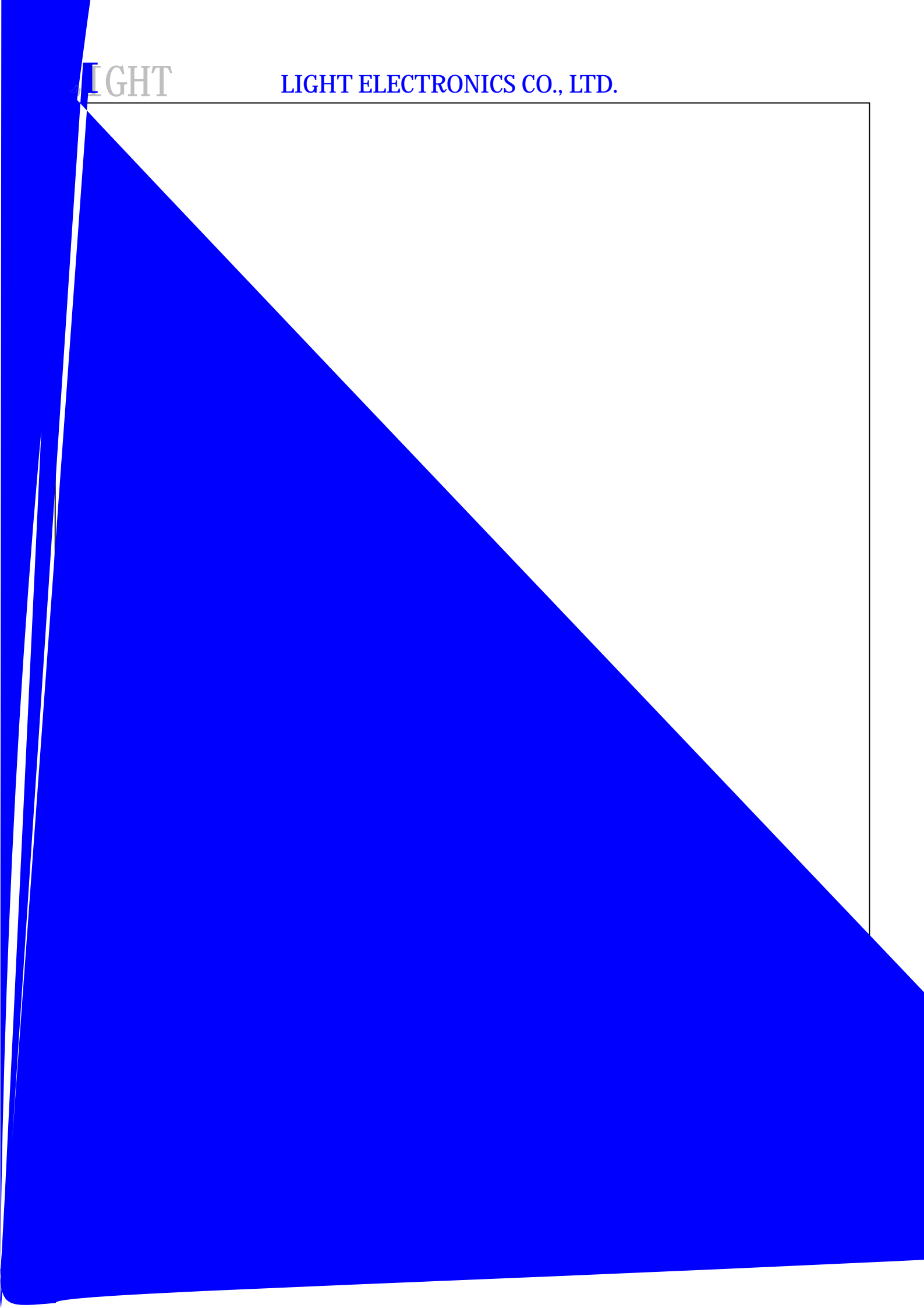


LIGHT

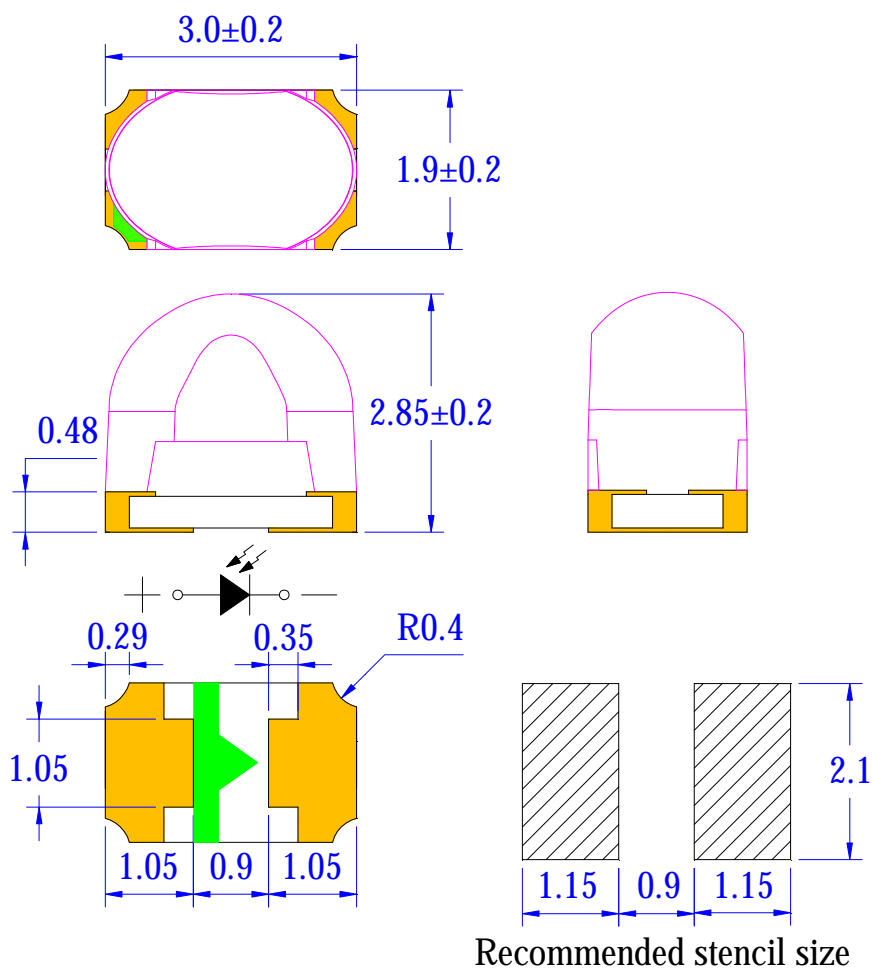
LIGHT ELECTRONICS CO., LTD.



Features

- Pb free product—RoHS compliant
- High Photo Sensitivity
- Reliable and rugged
- Long life – solid state reliability
- Sensitivity angle: 90°

Package Dimension

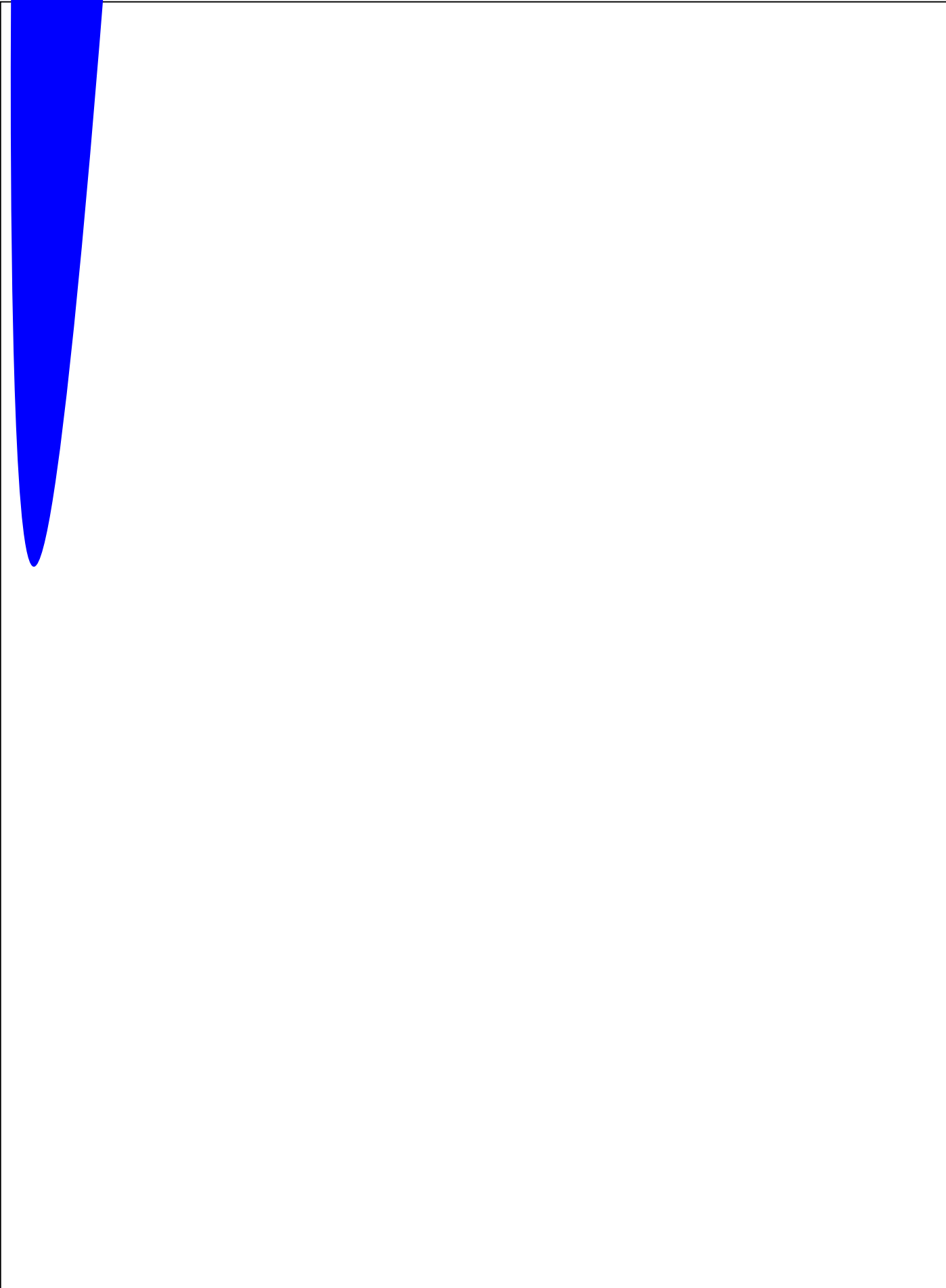


Recommended stencil size

Part NO.	Chip Material	Lens Color
SL-T3020PDB020-L285-E-S	Silicon	Black

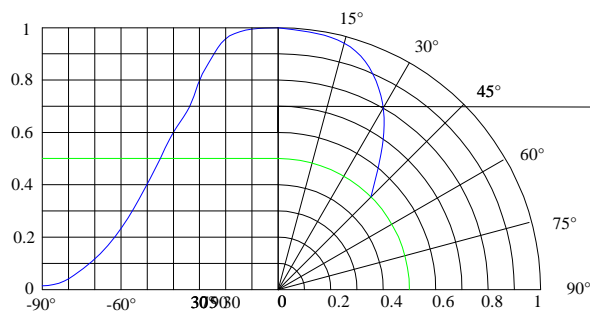
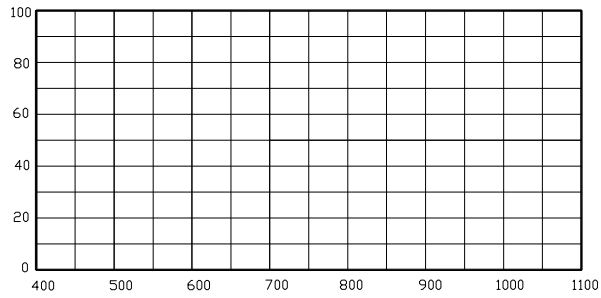
Notes:

1. All dimensions are in millimeters.
2. Tolerance is ± 0.10 mm unless otherwise noted.
3. Specifications are subject to change without notice.





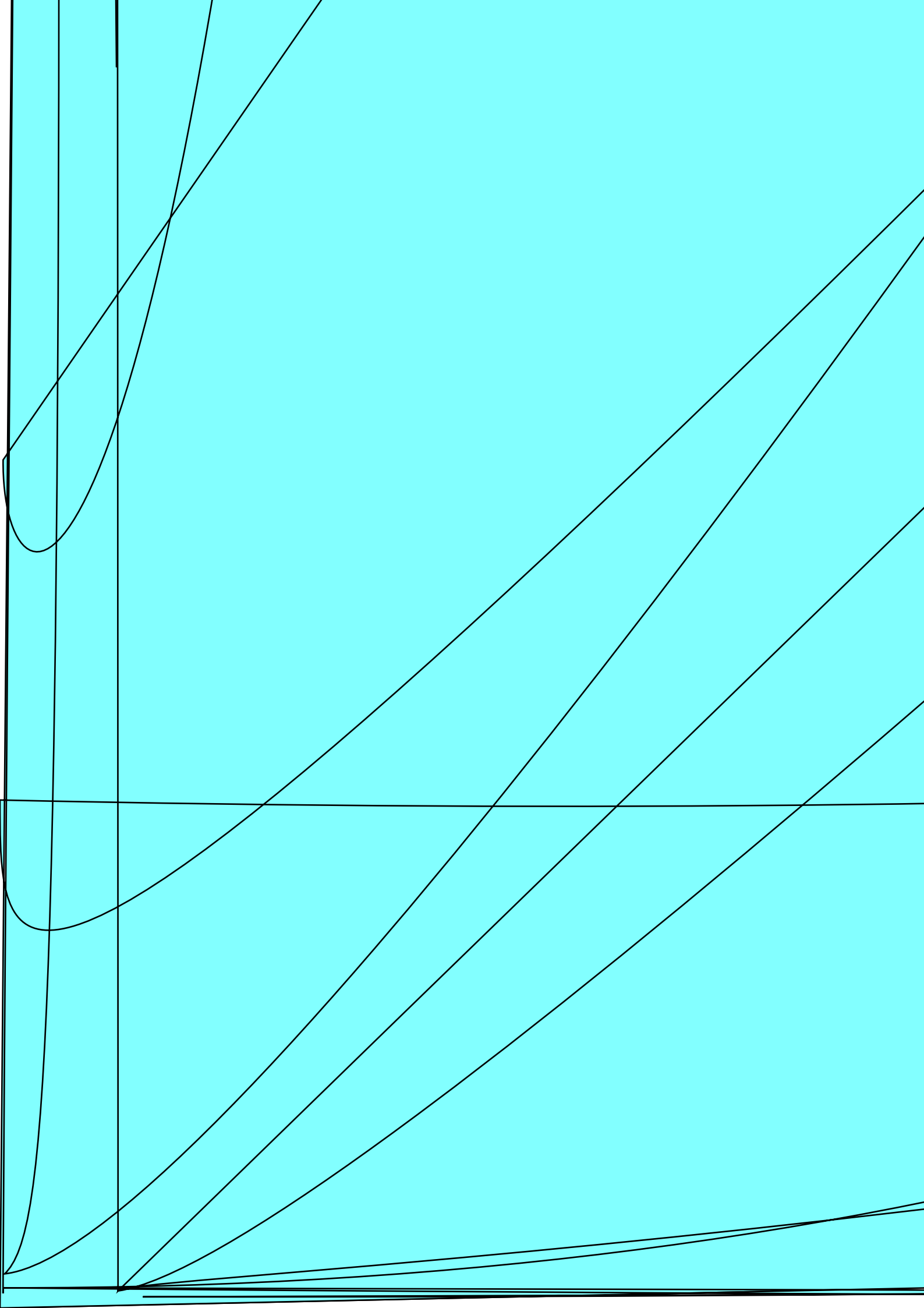
Typical Electrical / Optical Characteristics Curves (25 Ambient Temperature Unless Otherwise Noted)



Reverse Light Current(I_L) Bin Code ($V_R=5V$, $E_e=1mW/cm^2$)

BIN CODE	Min.(A)	Max.(A)

NOTE: The I_L guarantee should be added $\pm 15\%$ tolerance.





ed Quantity: 5000pcs/reel)

Unit = mm

