

# SL-T4234PTB120-L340 PHOTO TRANSISTOR DATA SHEET

SPEC. NO. : SZ19081206  
DATE : 2019/08/12  
REV. : A/0

Approved By:

Checked By:

Prepared By:



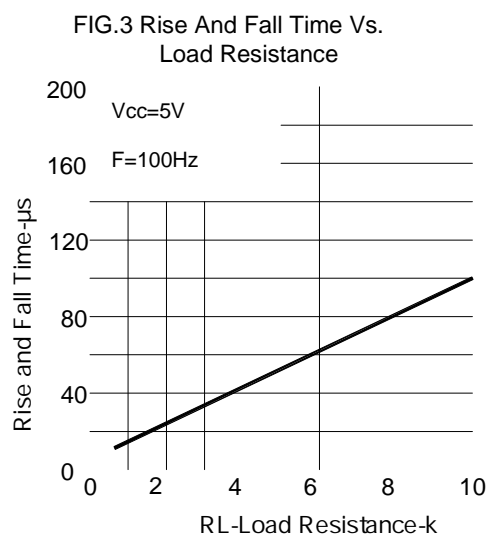




**Typical Electrical / Optical Characteristics Curves**  
**(25 Ambient Temperature Unless Otherwise Noted)**

FIG.2 Power Dissipation Vs. Ambient Temperature

Ambient Temperature-°C





## Label Explanation

LIGHT Universal Label

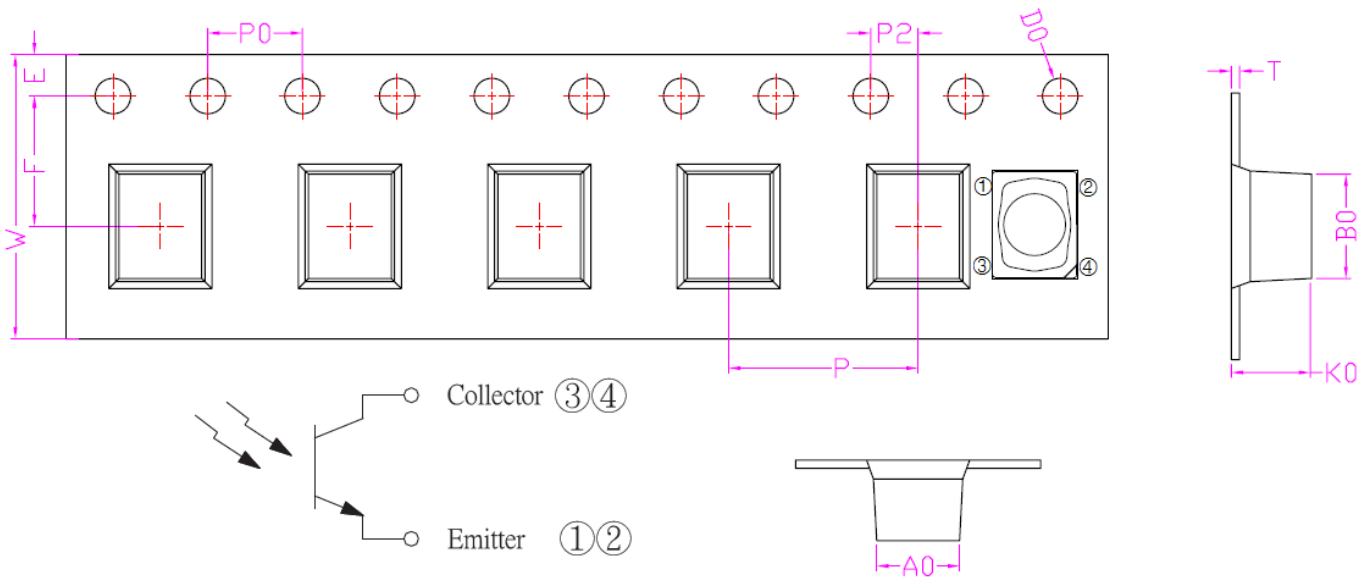
Customer Defined Label

<b>LIGHT</b> Light Electronics Co., LTD.	
MODEL NAME: _____	 LOT NO. : _____
QUANTITY: _____	
BIN : _____	
PACKING DATE: _____	
REMARKS: _____	



## Carrier Tape Specifications (Loaded Quantity: 2200pcs/reel)

Symbol	Value	Symbol	Value	Symbol	Value	Symbol	Value	Symbol	Value	Symbol	Value	Symbol	Value	Symbol	Value	Symbol	Value
W	12.70	W0	3.50	W1	4.40	W2	3.70	W3	1.75	W4	5.50	W5	2.00	W6	2.00	W7	4.00
T0	0.35	T1	0.35	T2	0.35	T3	0.35	T4	0.35	T5	0.35	T6	0.35	T7	0.35	T8	0.35
H0	0.35	H1	0.35	H2	0.35	H3	0.35	H4	0.35	H5	0.35	H6	0.35	H7	0.35	H8	0.35



**Note:** Tolerance unless mentioned is  $\pm 0.1\text{mm}$ ; Unit = mm

## Moisture Resistant Packaging

