

LG-IRM2A938KSF3

Infrared Receiver Module

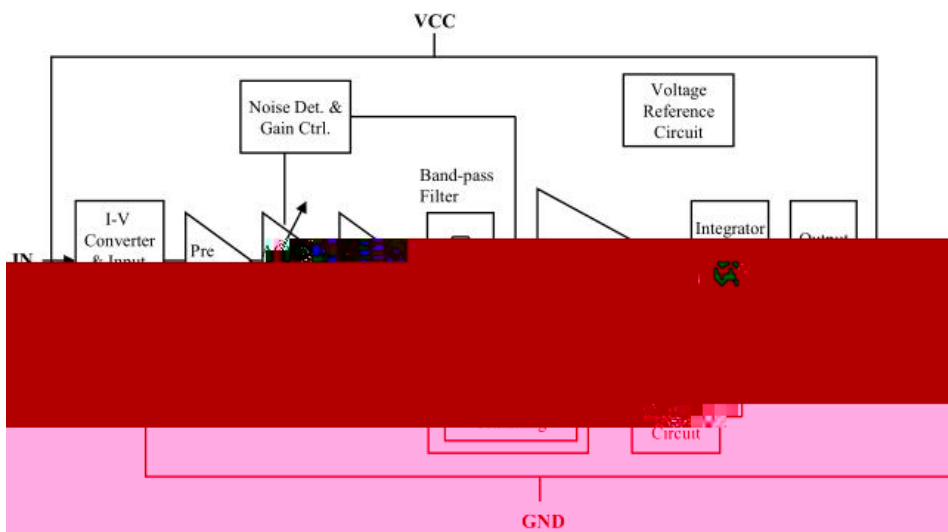
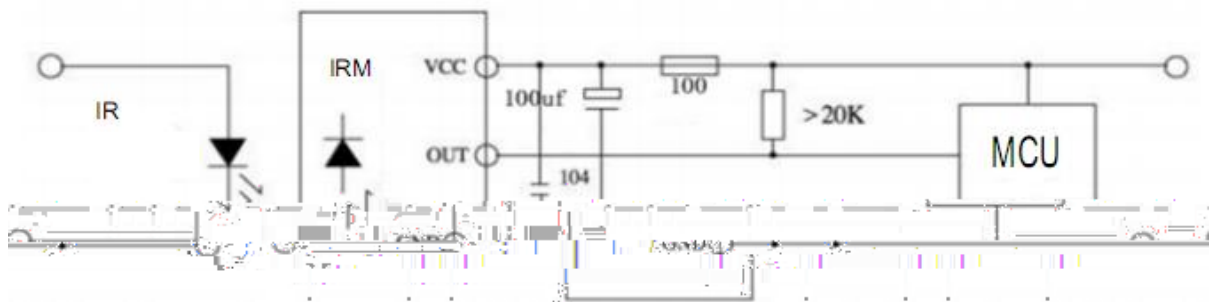
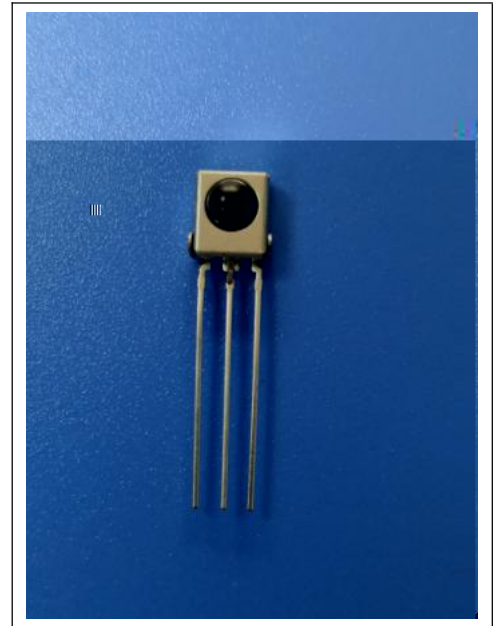
DATA SHEET

SPEC.NO. : SZ21052402
DATE : 2021/05/24
REV. : A/0

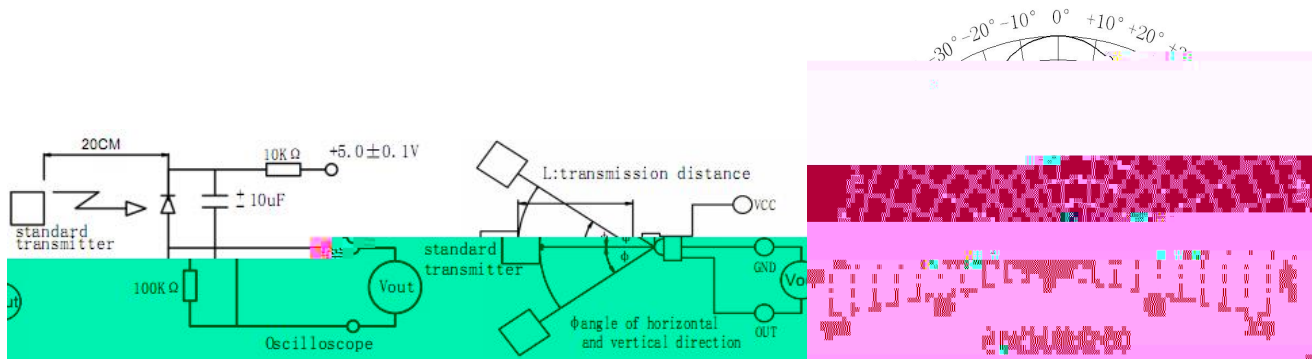
Approved By:

Checked By:

Prepared By:

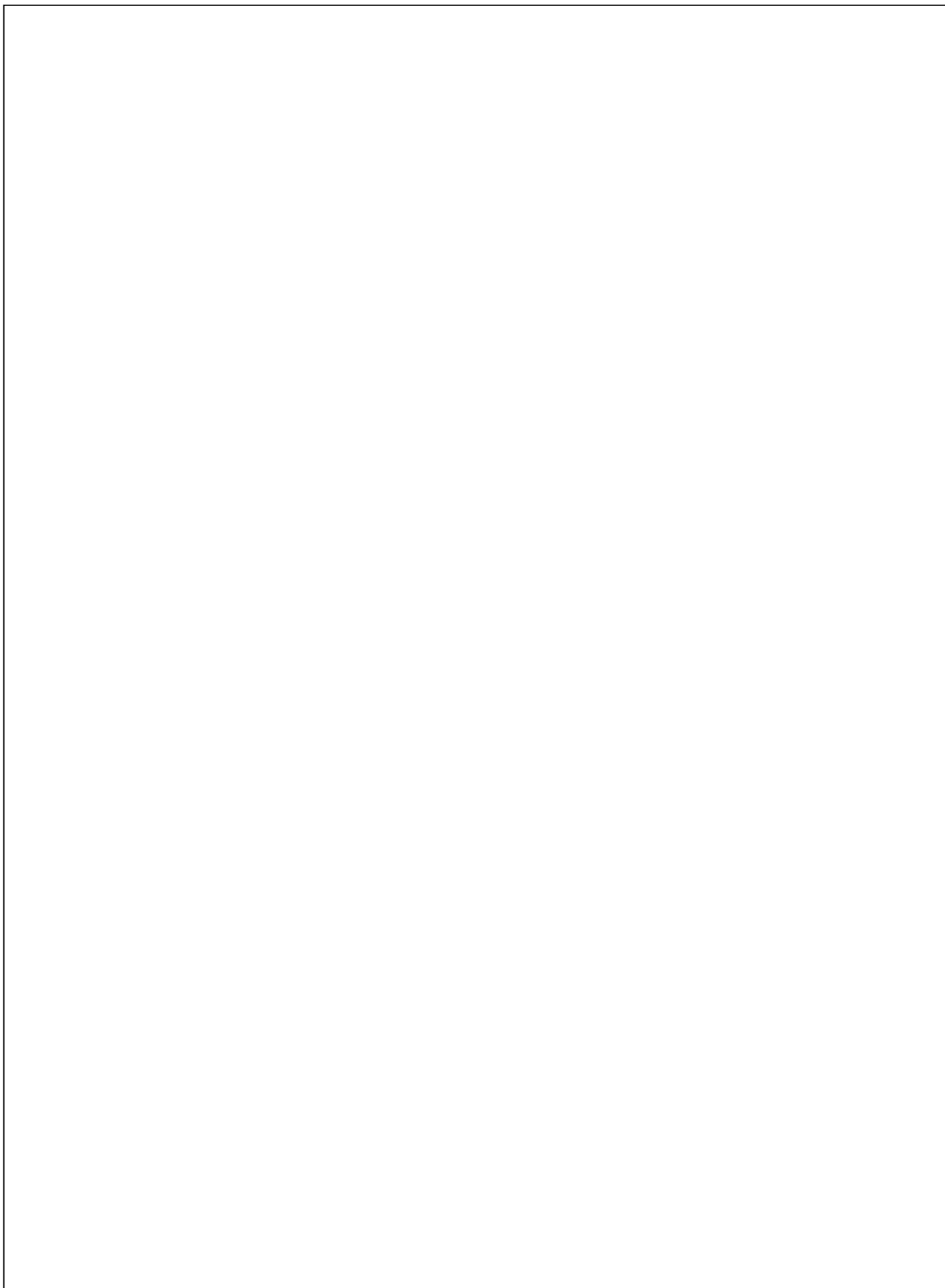


-3dB Bandwidth, Vin=30μVp-p



LI

LIGHT ELECTRONICS CO., LTD.

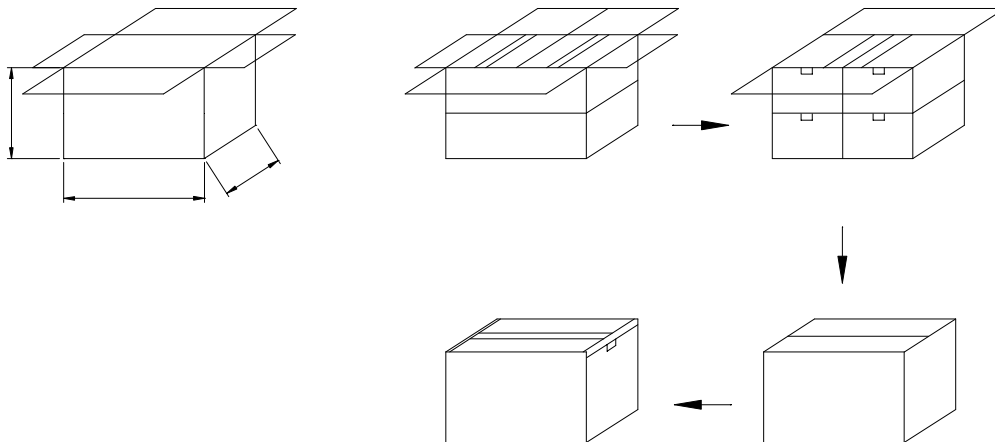
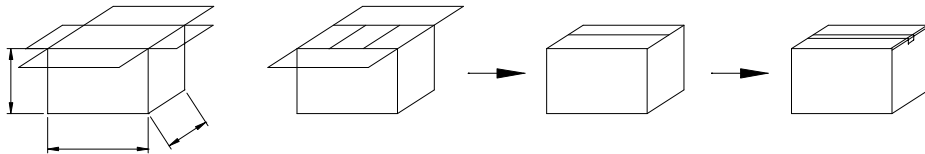
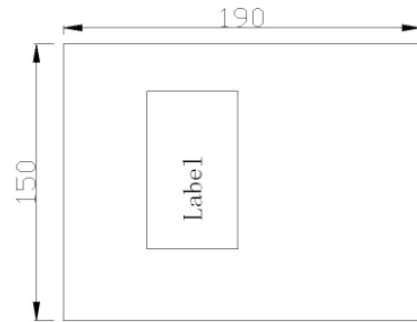


L

LIGHT ELECTRONICS CO., LTD.



150mm× 190mm



(pcs /)	(/)	(/)
500	10	4