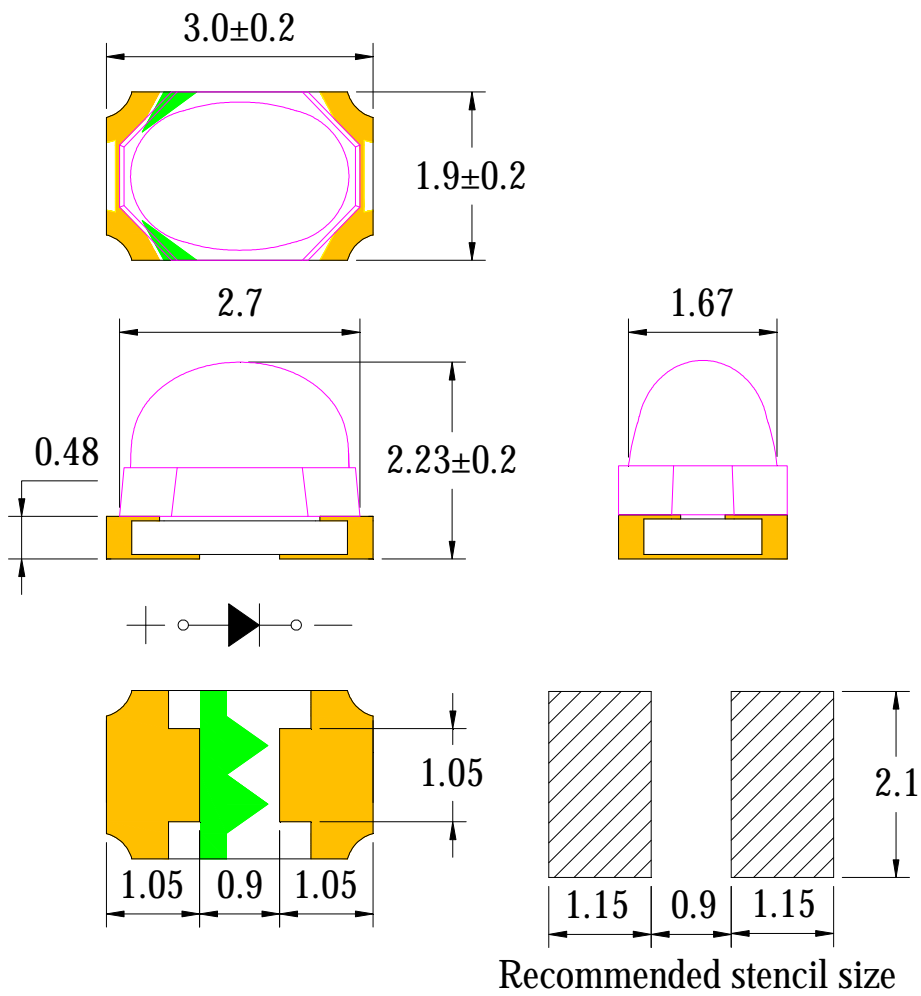


# **SL-T3020IRC050-L223-C-S**

\_\_\_\_\_  
\_\_\_\_\_  
\_\_\_\_\_

## Features

## Package Dimension




Notes:

### Absolute Maximum Ratings at Ta=25


1. Storage and operating:

2. Peak Forward Current:

3. Caution in ESD:





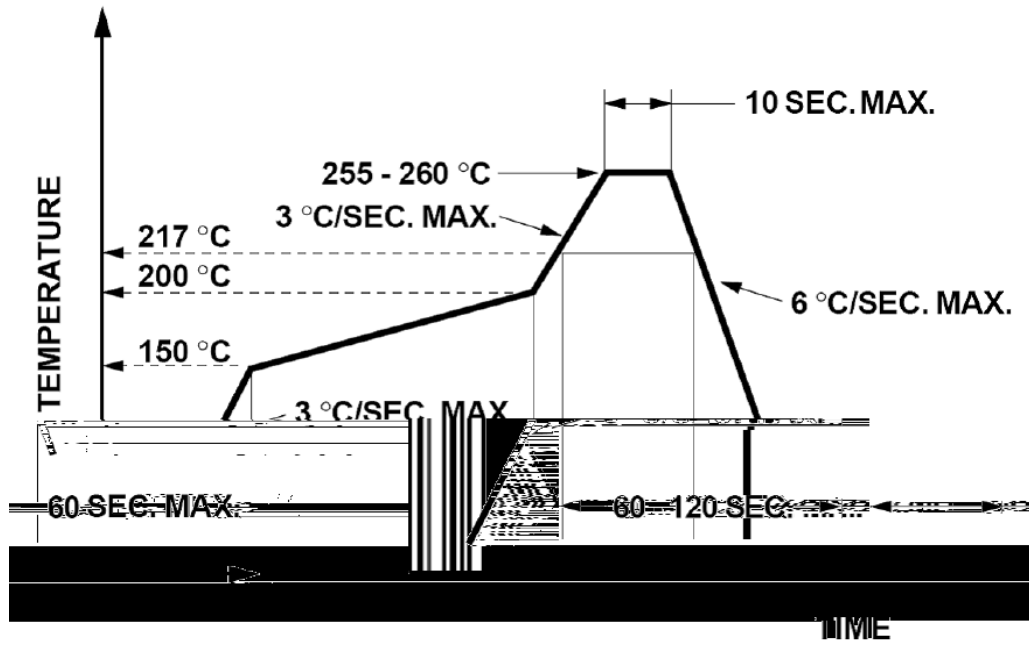




**Note:**







°C

