

LIGHT

LIGHT ELECTRONICS CO., LTD.

Electro-Optical Characteristics





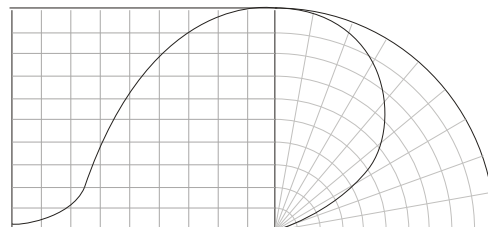
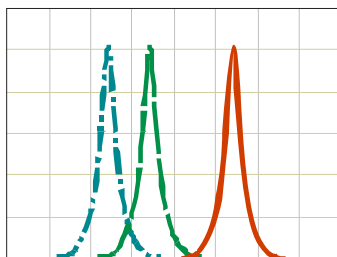
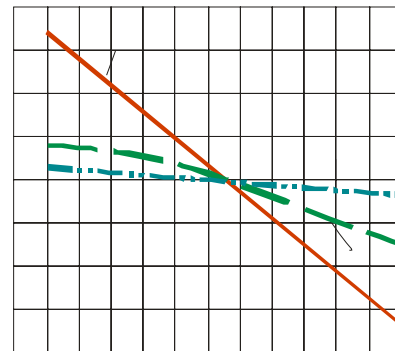
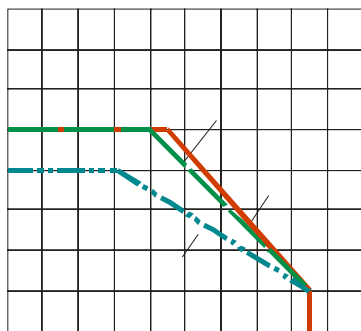
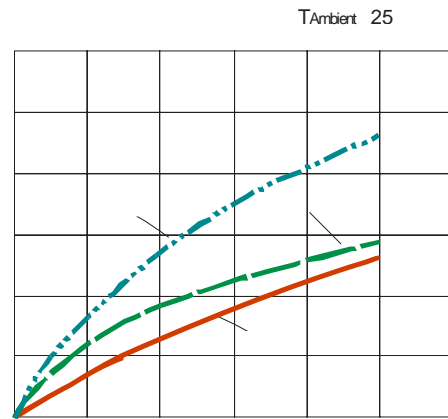
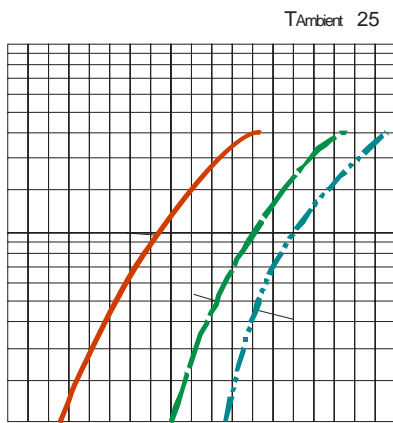
Electro-Optical Characteristics (Temperature=25°C)

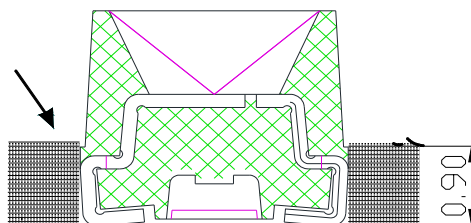
							μ
	λ						
	$\Delta\lambda$						
	θ						

以上 厂商

manufacturer

Typical Characteristics Curves





LIGHT

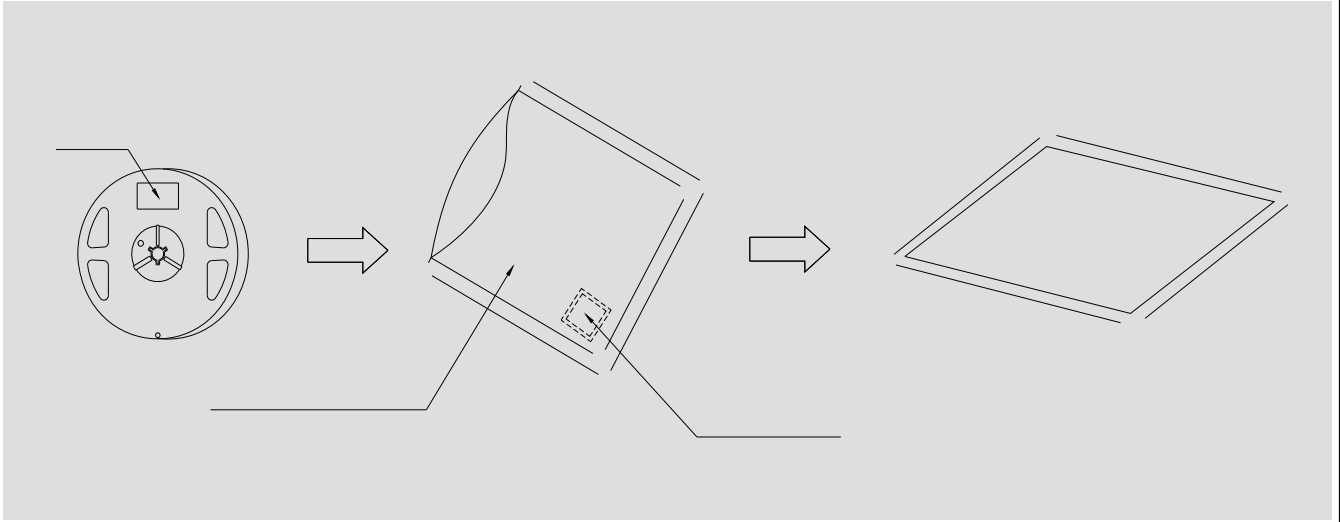
LIGHT ELECTRONICS CO., LTD.

2

Packaging(2)



Moisture Proof and Anti-Static Foil Bag



Cardboard Box



Label Explanation

L

LIGHT ELECTRONICS CO., LTD.

2

Guideline for Soldering (2)

3.

Cleaning

(1)

Precautions (1)

1.

Storage

-

-

-

-

-

2.

Static Electricity

-

-

-

(2)

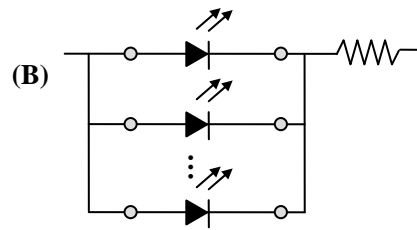
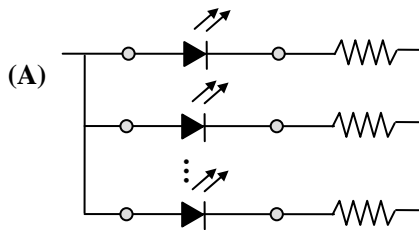
Precautions (2)

3.

Design Consideration

•

•



•

4.

Reverse voltage protection

•

•

(3)

Precautions (3)

5.

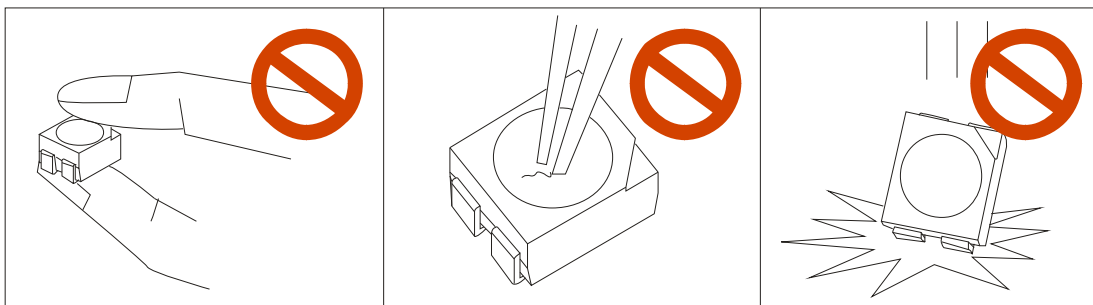
The safe temperature for LEDs working

-

6.

Others

-



-