

# SL-T2835WD060-L70-A-XX

## DATA SHEET

SPEC.NO.: SZ22081701  
DATE: 2022/08/17  
REV.: A/0

Approved By:

Checked By:

Prepared By:

# LIGHT

---

=

= G / L 5\*- 2

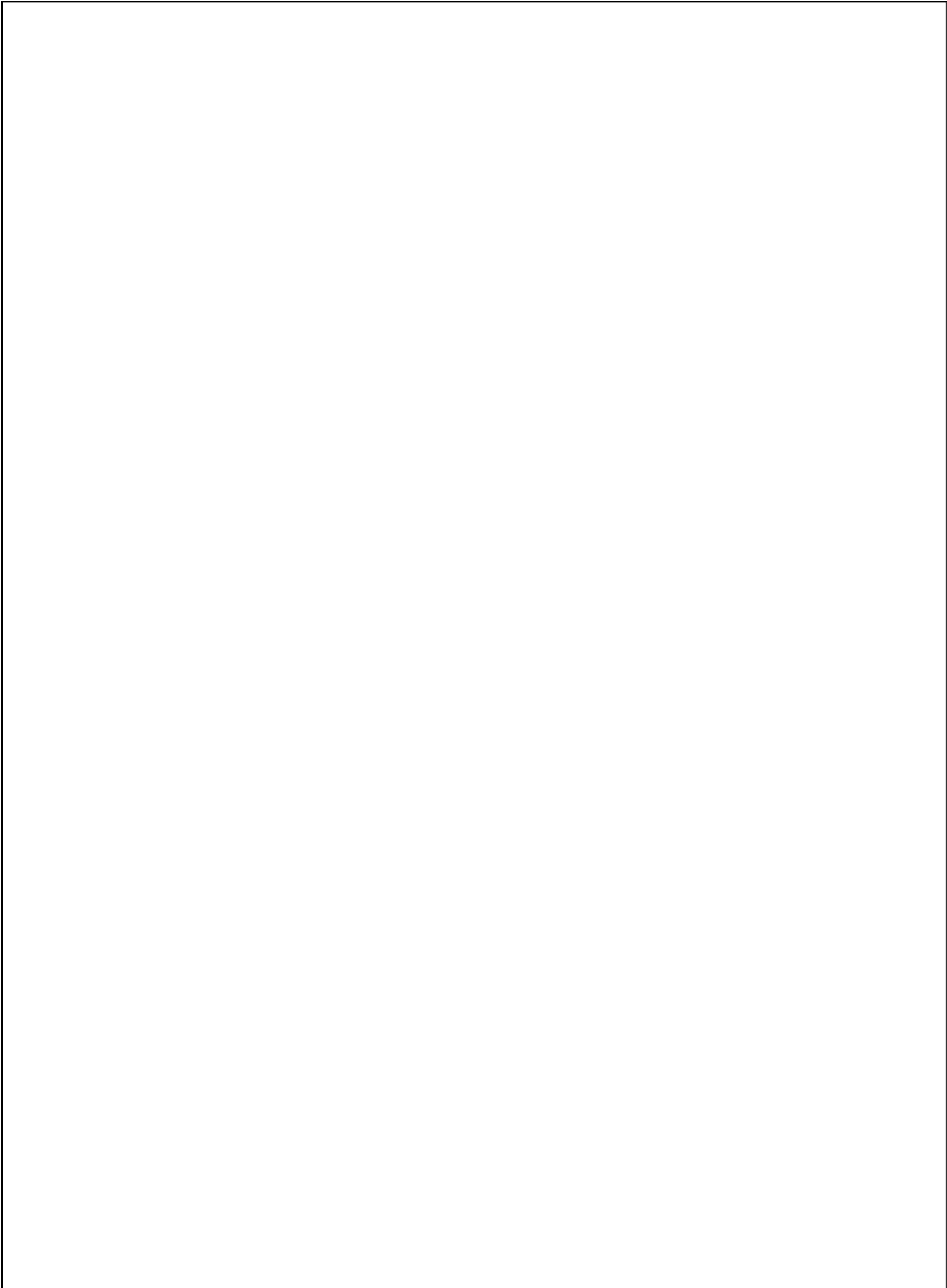
	JA	LC L	A 9	N N	J1	D L
E F %I 6 ( ) 3 (		(		+&		%
E F %I 6 ( ) 3 &		&		+&		%
E F %I 6 ( ) 3 %		%		+&	&	&

= G / L 5\*- 2

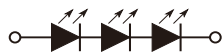
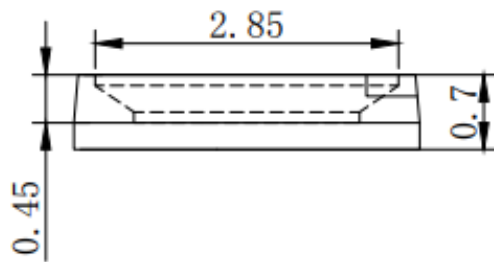
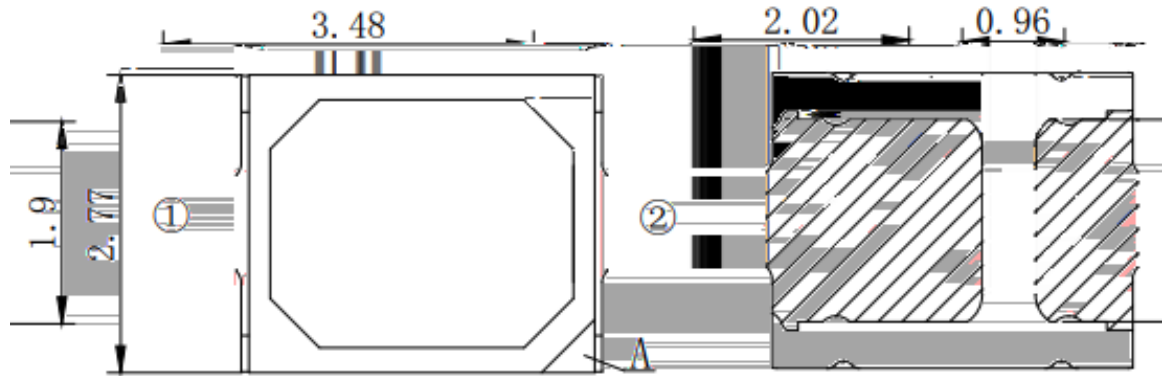
	B	E	D	G
Forward Current		;8		3
*Pulse Forward Current*		;8B		3
Power Dissipation		B		I
Operating Temperature		F	&	
Storage Temperature		F	&	
Junction Temperature		F		
Welding temperature		F	D	, ( , % %
3 : 4		7E6		H

6





G



Polarity

3 3

3

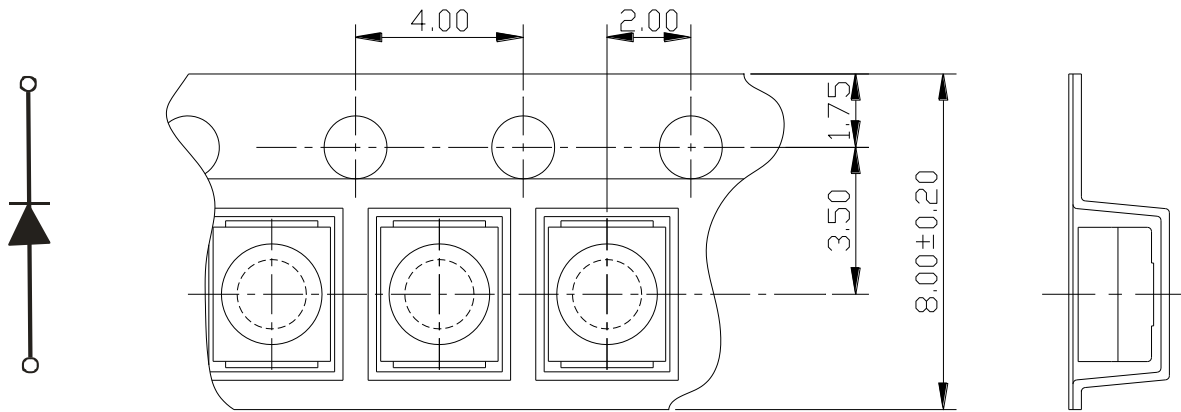
% 3

& E

**H**

◇

**L**



±

±

◇

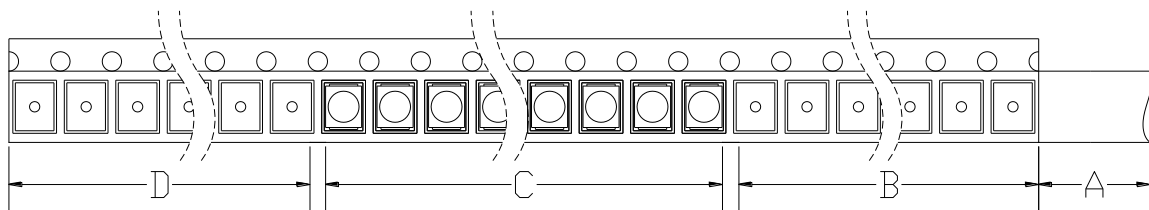
**G**

3

**L**

**B**

6



3

3, F

%

F

4

%

-4,

7

5

-5, &

&

6

-6, F

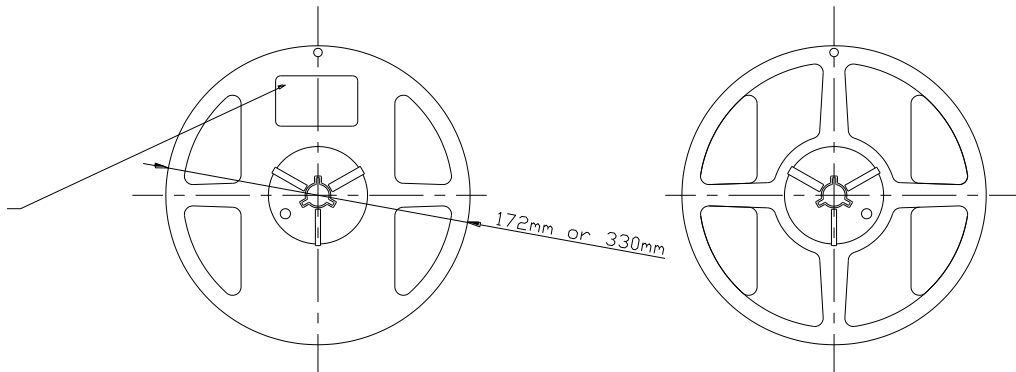
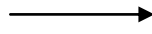
7

◇

**J**

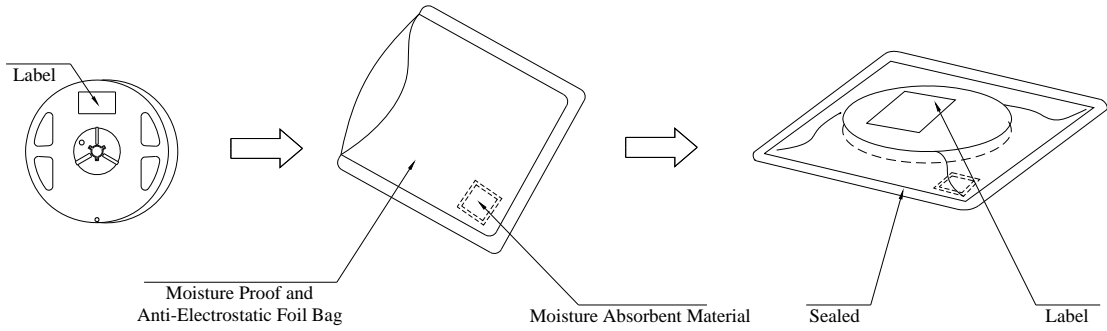
**B**

6

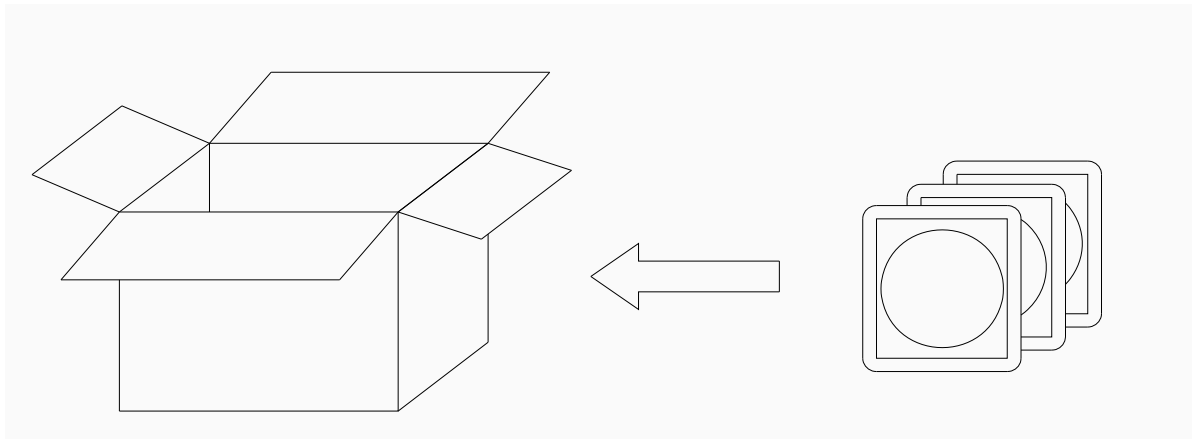




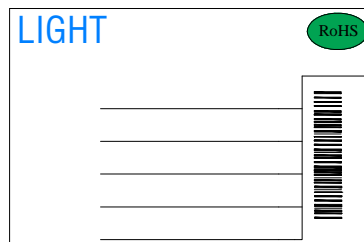
### Moisture Proof and Anti-Electrostatic Foil Bag



### Cardboard Box



### Label Explanation

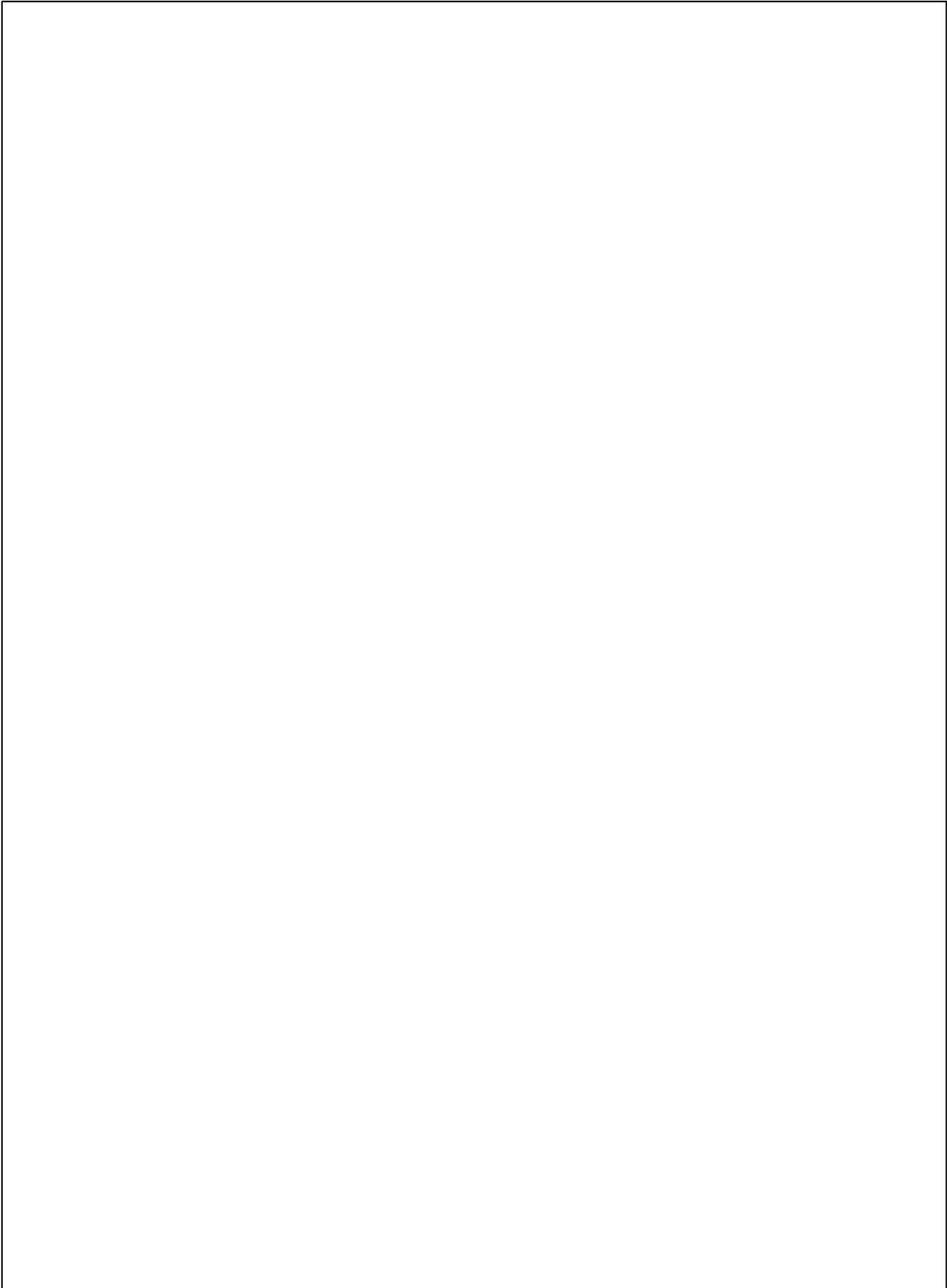


TYPE NO./	QUANTITY/
BIN./	DATE CODE/
REMARKS/	LOT NO./



**LIGHT**

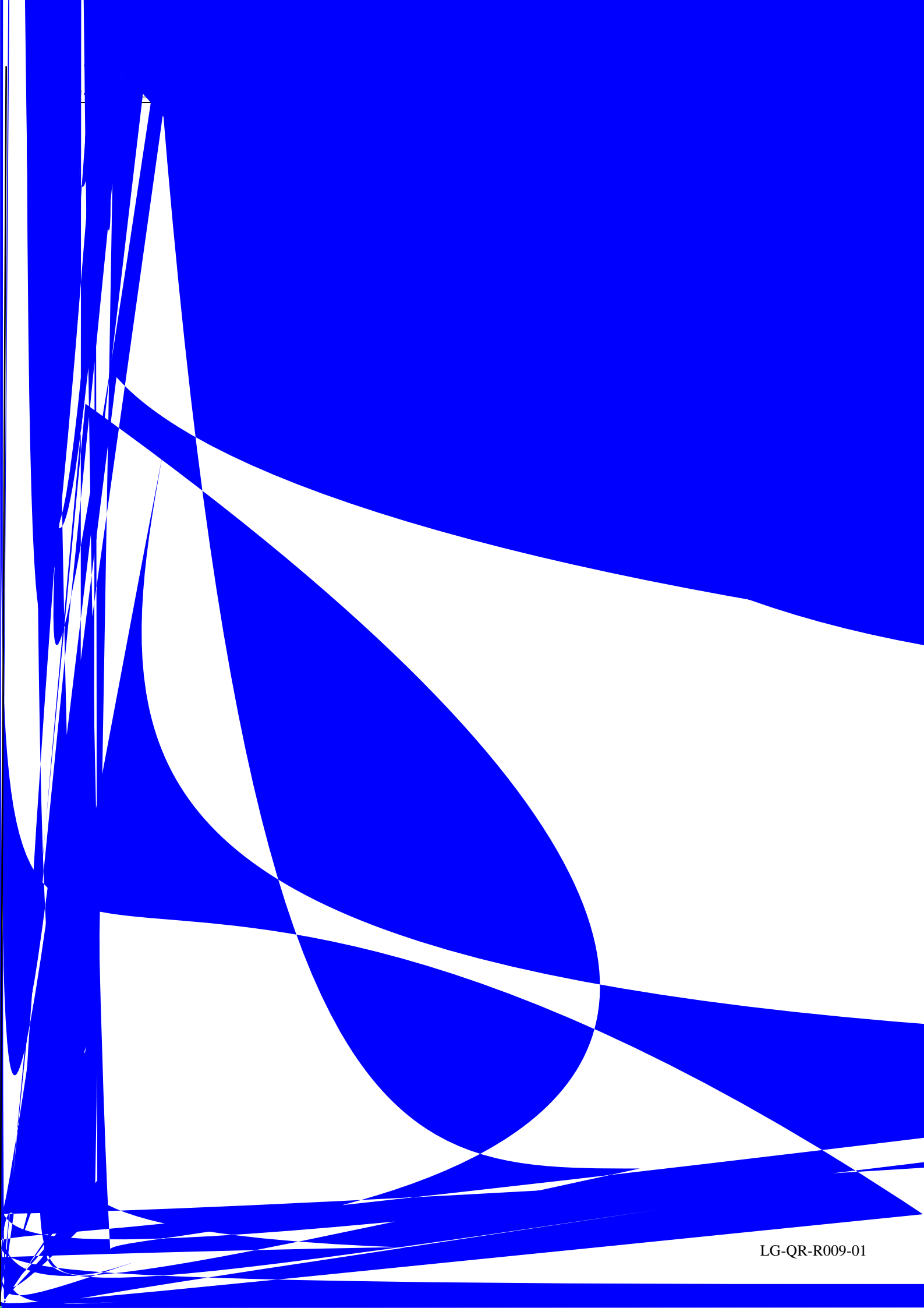


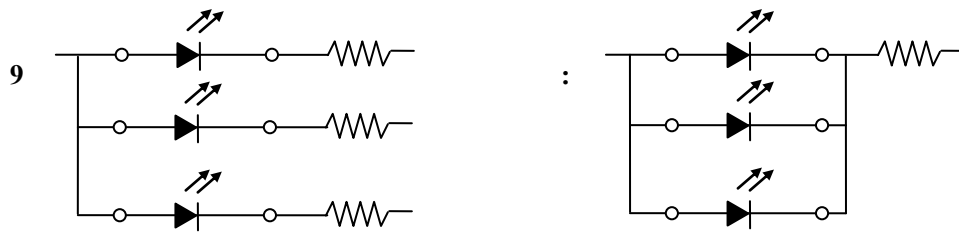


LIG

---







76

76

F 6

5

5

B

76

G

I

7

76

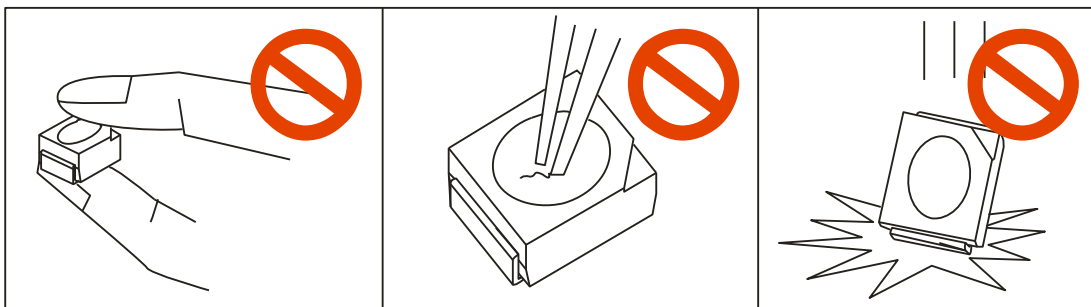
8

76

76

D

E



76

F

I

9

K

K

A5.( 9 L 5\*-



	%
%	%
%	&
&	&
&	

	+
+	+
+	+"&

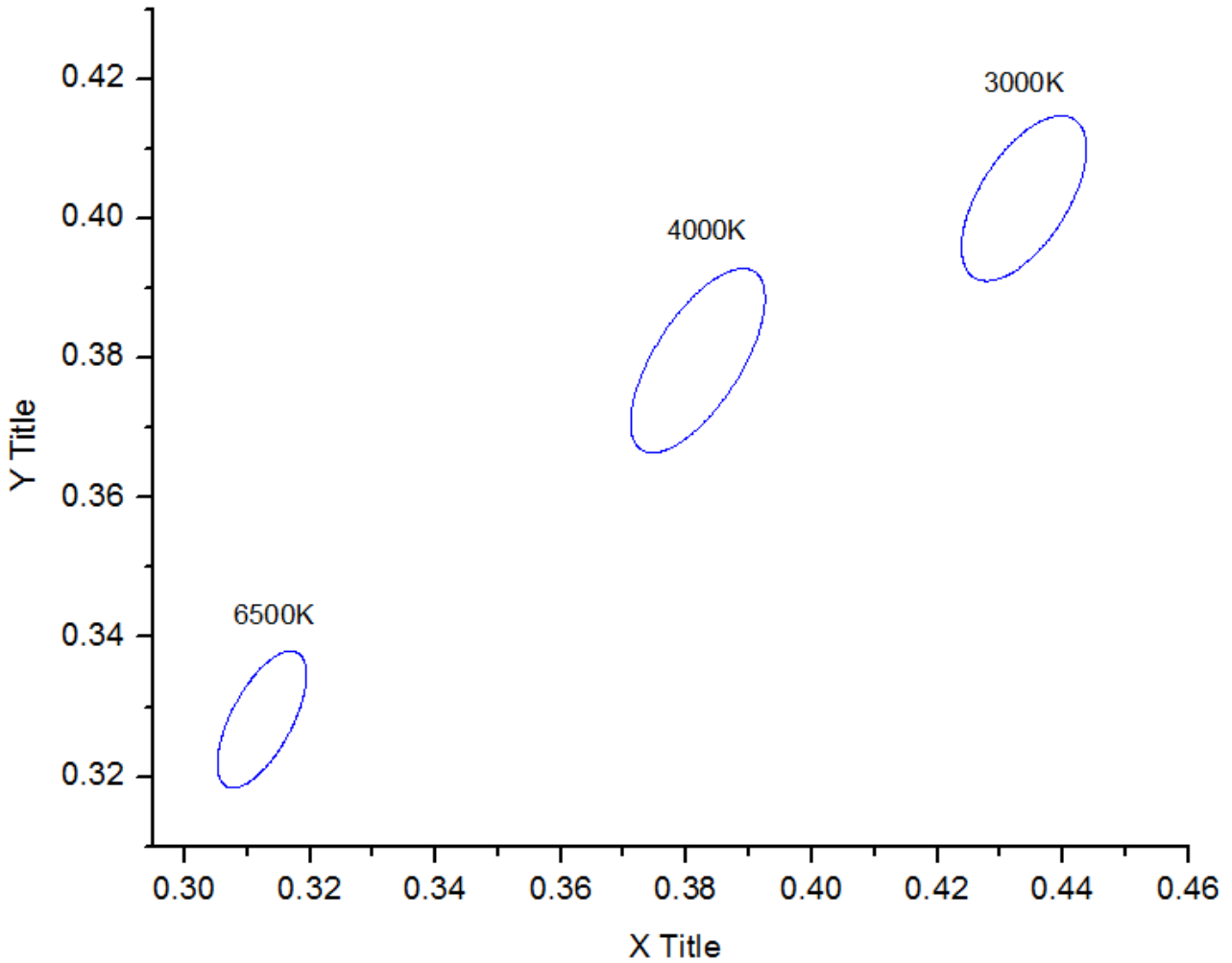
F  
F

)

H

H  
)

A5. ( 9 L 5\*-



9 (-	&@+	& %	)	%	%	
9 (-	%	%+)	%%	%&	%)	
9.--	% %	%	%	+	)	

3

LIG

**LIGHT ELECTRONICS CO., LTD.**

---

---

---